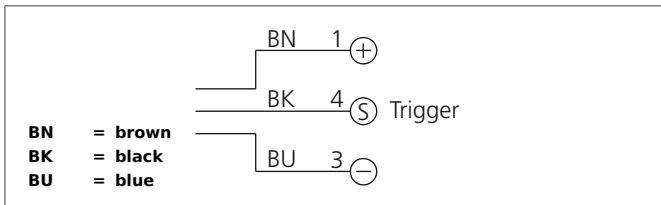


BEK 1-P14-G0TI-IBS

Spotlight

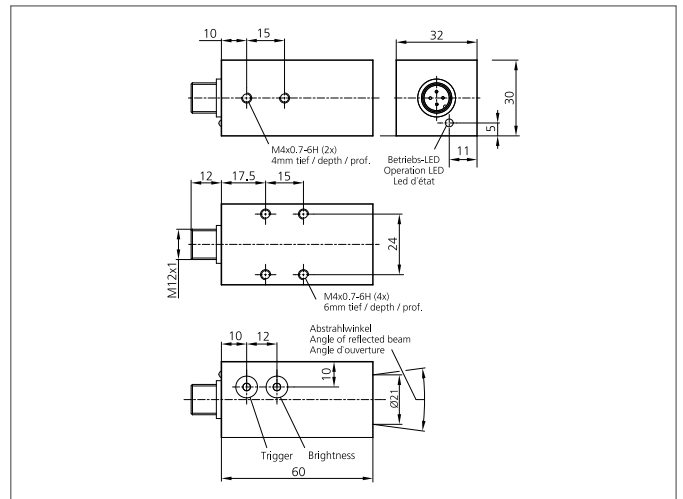
- Constant level of light intensity over the entire voltage range
- Homogenous luminous field
- External trigger input
- Internal control of power output
- High efficiency
- Low levels of heat produced
- Light intensity can be adjusted
- Robust metal casing



Safety instructions

The Instruments are not to be used for safety applications, in particular applications in which safety of persons depends on proper operation of the instruments.

These instruments shall exclusively be used by qualified personnel.



TECHNICAL INFORMATION (typ.)	+20°C, 24V DC
Characteristics	Internal control of power output, Trigger input
Light colour	Infrared, 850 nm
Emission angle	14°
Illumination intensity	34.000 µW/cm ² (0,1 m), 9.500 µW/cm ² (0,2 m), 1.700 µW/cm ² (0,5 m)
Service voltage	10 ... 35 V DC (Supply Class 2)
Internal power consumption	max. 190 mA, (10 V DC)
Light outlet	axial
Trigger input low level	0 ... <2,8 V
Trigger input high level	> 3,3 ... 35 V
Power	2,3 W (10...35 V DC)
Shock-/vibration load	10 ... 55 Hz / 1,0 mm / 30 g
Inverse polarity protection	Yes
Display	LED: green - operation indicator
On-delay time (Trig.)	0,366 ms
Switch off delay (Trig.)	0,060 ms
Ambient temperature	0 ... +50 °C
Protection class	IP 67
Protection degree	III, operation on protective low voltage
Risk group (DIN EN 62471)	Free group
Casing material	Aluminium black anodized
Material	polymethyl methacrylate (Window)
Connection	Connector, M12, 3-poled

BEK 1-P14-G0TI-IBS
Spotlight



TECHNICAL INFORMATION (typ.)

+20°C, 24V DC

Connecting cable

VK ...